

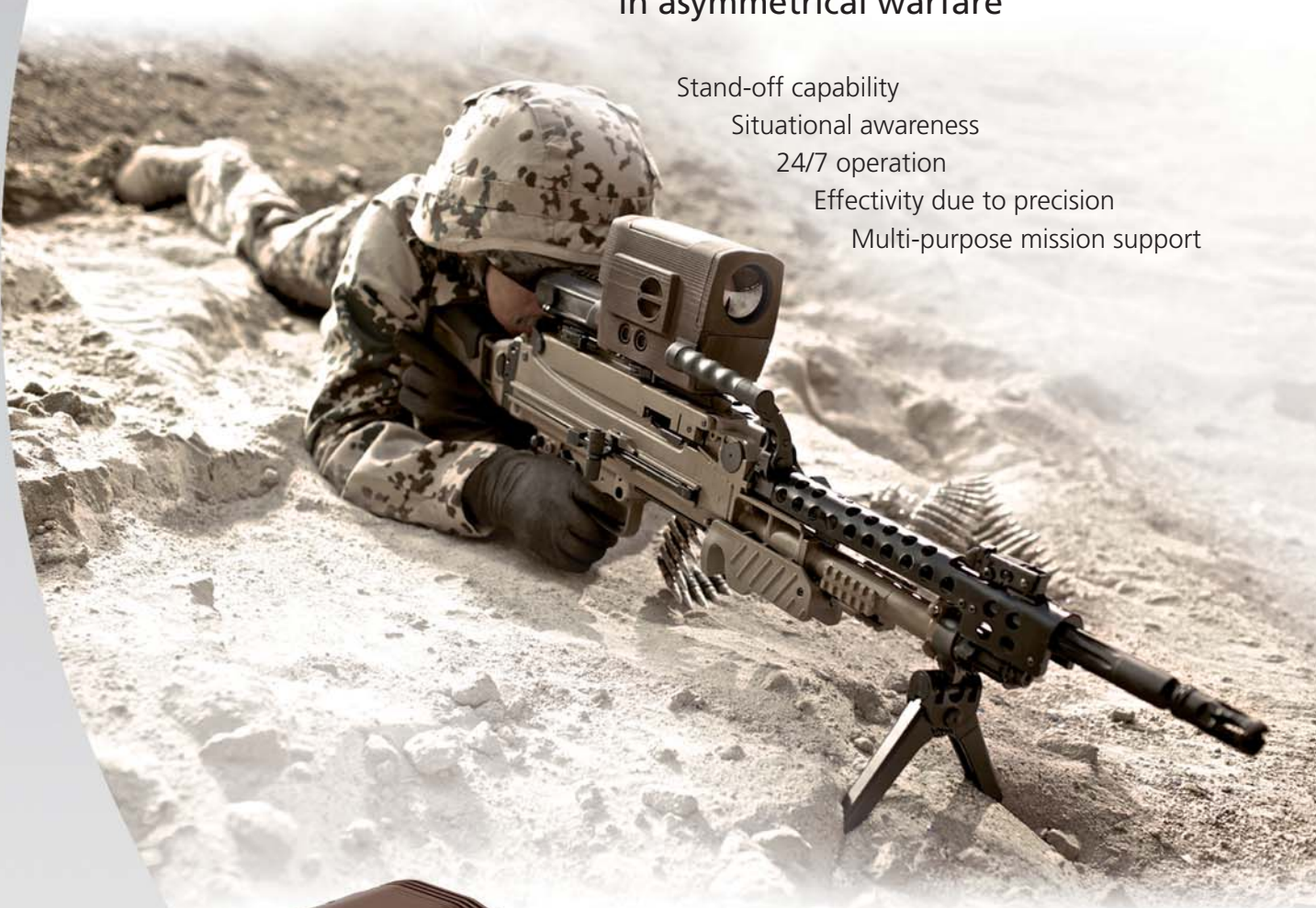


# AIM

## HuntIR Mk2 - THERMAL WEAPON AND RECONNAISSANCE SIGHT

Force protection and superiority  
in asymmetrical warfare

- Stand-off capability
- Situational awareness
- 24/7 operation
- Effectivity due to precision
- Multi-purpose mission support



### Mission success at day and night

- Thermal targeting sight for mid and long range small arms
- Outstanding performance of cooled technology with minimal size, weight and power
- Clip-on use with various riflescopes
- Stand-alone weapon sight with optional eyepiece
- Precise engagement with optional LRF module and ballistic computer
- Relaxed observation with additional biocular eyepiece

## HuntIR Mk2 - THERMAL WEAPON AND RECONNAISSANCE SIGHT



Using the latest cooled IR-technology, the HuntIR Mk2 thermal weapon and observation sight combines highest range performance with minimum size, weight and power including inaudible operation. Mounted on small arms like sniper rifles or machine guns and support weapons like anti-material rifles or automatic grenade launchers, the sight provides outstanding situational awareness and targeting capability for the sniper or marksman even in bad weather conditions during day and night.

### CHARACTERISTICS

- Field of view: 6.1° x 4.9°
- Length < 180mm
- Weight < 2kg
- Hands-free use - no focussing required
- Small optical aperture for minimum detectability
- 4h operation with 8x AA Lithium batteries

### OPERATION

- Clip-on with riflescope
- x1 magnification without need of adjustment
- Integrated ballistics computer for high hit probability
- Interfaces to C4I equipment
- Mounted by picatinny rail MIL-STD-1913 / STANAG 4694

### ACCESSORIES

- Ocular for stand-alone operation with x3 magnification
- Biocular eyepiece
- LRF and DMC module for precise target acquisition
- Wireless data link
- Biocular day channel with x7 magnification and image overlay

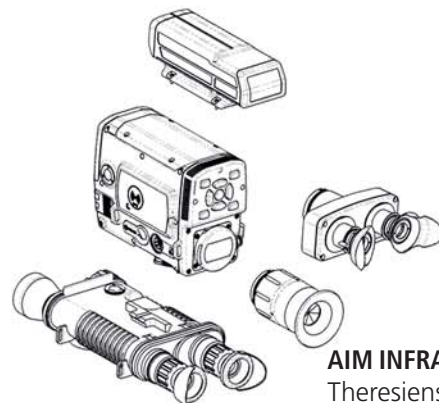
### RANGE PERFORMANCE<sup>1)</sup>



D 8,000m  
R 3,000m  
I 1,500m



D 3,800m  
R 1,300m



1) According to STANAG 4347 and TRM4 approach  
Tank target 2.3m x 2.3m  
Personal target 1.7m x 0.6m

**AIM INFRAROT-MODULE GmbH**  
Theresienstraße 2  
74072 Heilbronn/Germany  
Tel.: +49 7131 6212-0  
Fax: +49 7131 6212-939  
info@aim-ir.com  
www.aim-ir.com