

LONG LIFE MICRO CRYOCOOLER MCC040

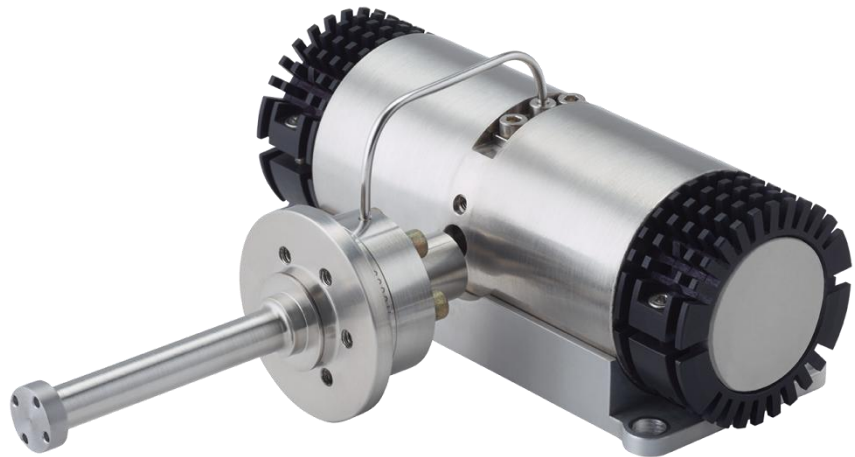
- **Very compact & lightweight**
- **Outstanding specific performance**
- **High MTTF (>25,000h)**
- **Cooling capacity of 0.6W
(@ 100K; 23°C)**
- **Ideal cooler for 24/7 applications**
- **Low vibration output**
- **Inaudible**

The MCC040 is the latest product of our Stirling cryocoolers based on Moving Magnet Technology. An optimized alignment process combined with low outgassing material composition inside the helium vessel results in lifetimes exceeding 25,000 hours.

The MCC040 combines smallest size dimensions with outstanding specific performance and provides a cooling capacity of more than 0.6W @ 100K.

With its compactness and reliability, the MCC040 is the ideal cryocooler for spectroscopic devices and gas analyzers for both stationary and portable applications operating 24/7.

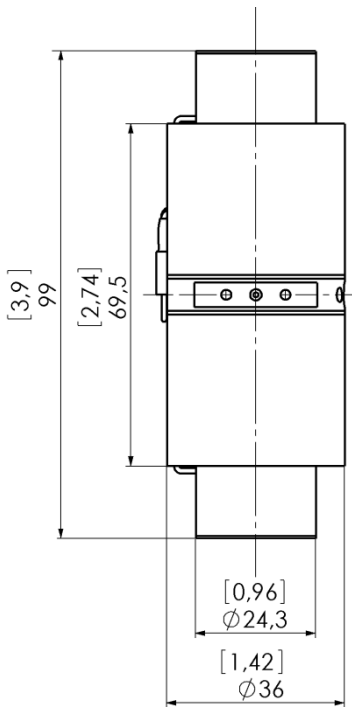
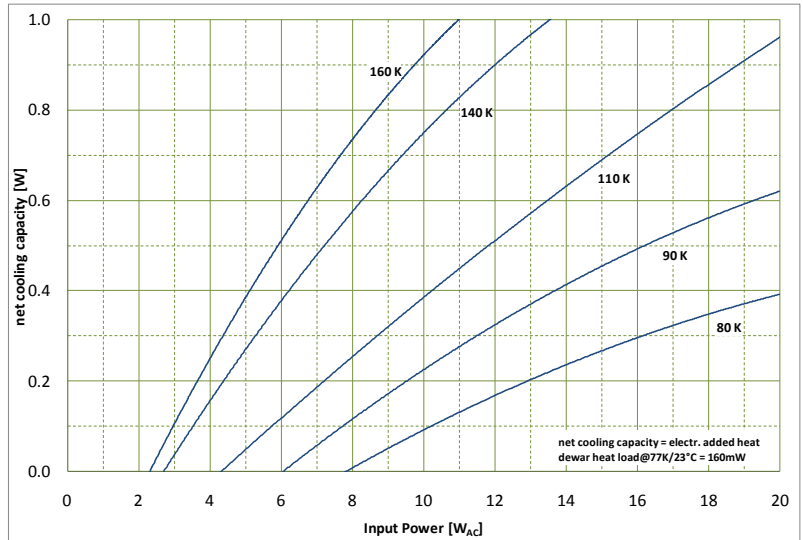
The MCC040 includes a digital high efficient cooler control electronics or can alternatively be operated with customer's electronics.



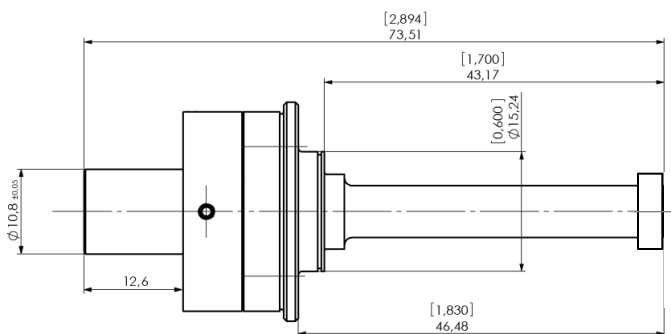
Typical Performance Data MCC040 @ 23°C

Applications

- Spectroscopic devices at 80-160K
- Stationary gas analyzers
- Portable Ge/ Si-Detectors
- Ambient temperature at -40°C to +60°C
- 24/7 devices

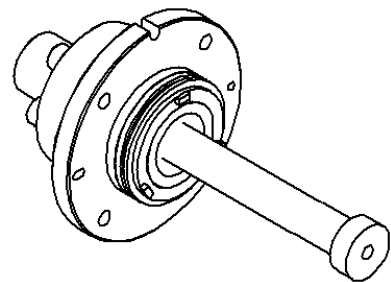


Dimensions MCC040 compressor



Dimensions AIM Industrial Coldfinger

	MCC 040
Compressor diameter [mm]	36
Compressor length [mm]	99
Compressor weight [g] (without coldfinger)	590
Supply voltage	5-15 V _{AC}
Cooler controller	external
Coldtip I/F	thread hole
Ambient temperature range [°C]	-40 to +60



Coldfinger I/F contains e.g. a thread hole

AIM INFRAROT-MODULE GmbH
 Theresienstraße 2
 D 74072 Heilbronn / Germany
 Tel.: +49 7131 6212 - 310
 Fax: +49 7131 6212 - 399
 CoolersAIM@aim-ir.com
 www.aim-ir.com