

SINGLE PISTON LINEAR COOLER SX030

- **Very compact & lightweight**
- **Outstanding specific performance**
- **High MTF (>30,000h)**
- **Cooling capacity of 0.6W (@ 140K; 23°C)**
- **Modular Cooler Concept**
 - **Several coldfinger options available**
- **Ideal cooler for HOT IR-detectors**
- **Very low vibration output**
- **Inaudible**

The SX cryocooler-series is our latest product family targeting HOT, 3rd Gen IR and industrial applications:

The SX030 combines smallest outline dimensions with outstanding specific performance and provides high reliability exceeding lifetimes of 30,000h being ideal for 24/7 operation.

The compactness and cooling power meets the demand for lightweight high performance IR-technology.

The SX030 provides a cooling capacity of more than 0.6W @ 140K. Typical power consumption for HOT IDCAs is less than 3W@140K.

The SX030 can be used with AIM's digital cooler electronics (μ DCE025, μ DCE050) or alternatively with customers' electronics.

This cooler can be used with different regenerator diameters allowing integration into standard rotary dewar bores.

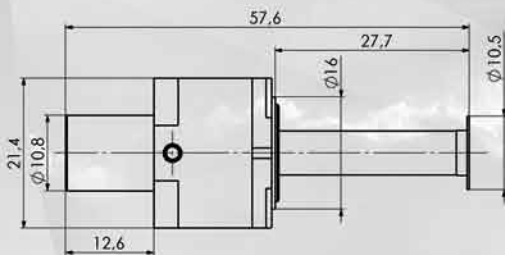
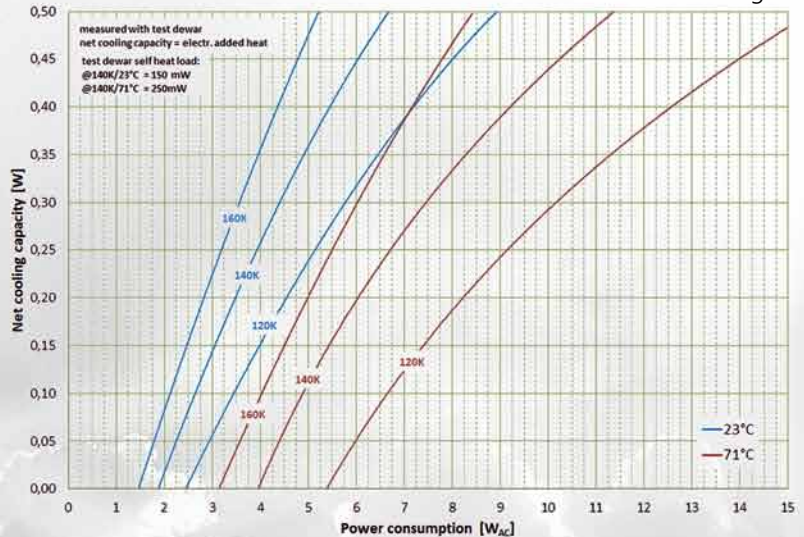


SINGLE PISTON LINEAR COOLER SX030

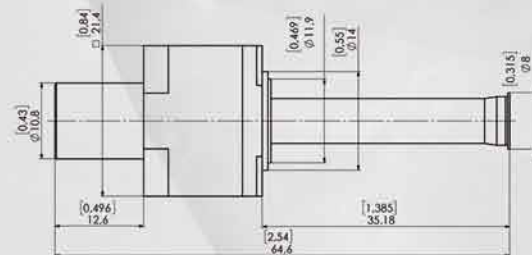
Typical Performance Data
SX030 with 6mm coldfinger

Applications

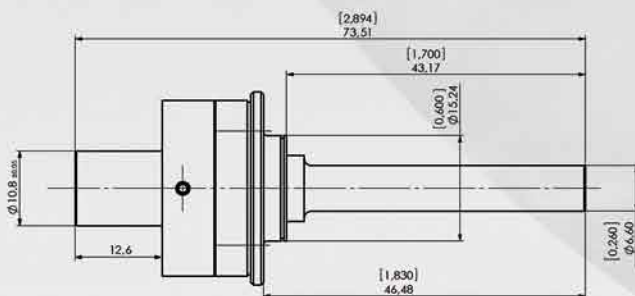
- HOT detectors operating at 90 - 180K
- 3rd Gen IR-systems
- High performance, high operating temperature (HOT) IDCAs
- Applications demanding high cryocooler reliability and reduction in maintenance costs



Dimensions 6mm Generic coldfinger

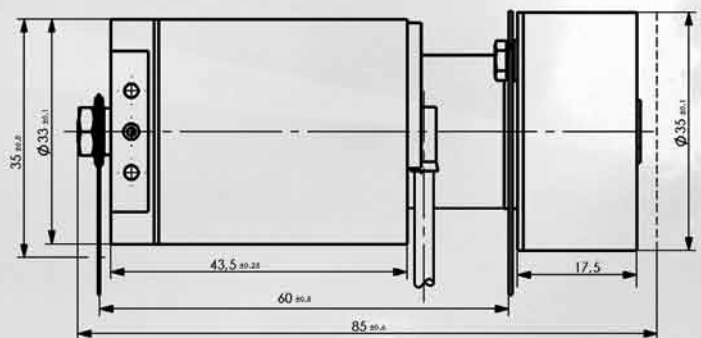


Dimensions 6mm Generic coldfinger long



Dimensions 6mm coldfinger

		SX030
Compressor diameter	[mm/in]	33 / 1.3
Compressor length	[mm/in]	61 / 2.4
Compressor weight	[g]	285 / 0.63
Compressor weight with passive absorber	[g/lb]	380 / 0.84
Supply voltage	[V _{AC}]	5-15
Cooler Controller		μDCE025 / μDCE050
Ambient temperature range	[°C]	-54 to +71
Suitable coldfinger / dewar diameter		6mm, 8mm



Dimensions SX030 compressor with passive balancer

AIM Infrarot-Module GmbH
Theresienstraße 2
74072 Heilbronn/Germany
Tel.: +49 7131 6212 - 310
Fax: +49 7131 6212 - 399
info@aim-ir.com
www.aim-ir.com