

LINEAR STIRLING COOLER SX040

- **Very compact & lightweight**
- **Outstanding specific performance**
- **High MTF (>30,000h)**
- **Cooling capacity of 0.6W (@ 95K; 23°C)**
- **Modular Cooler Concept**
 - **Several coldfinger options available**

The SX cryocooler-series is our latest product family targeting HOT, 3rd Gen IR and industrial applications:

The SX040 combines small outline dimensions with outstanding specific performance and provides high reliability exceeding lifetimes of 30,000h being ideal for 24/7 operation.

The compactness and cooling power meets the demand for light-weight high performance IR-technology. The SX040 provides a cooling capacity of more than 0.6W @ 95K.

The SX040 can be used with AIM's digital cooler electronics (μ DCE050, DCE100) or alternatively with customers' electronics.

This cooler can be used with different regenerator diameters allowing integration into standard rotary dewar bores.

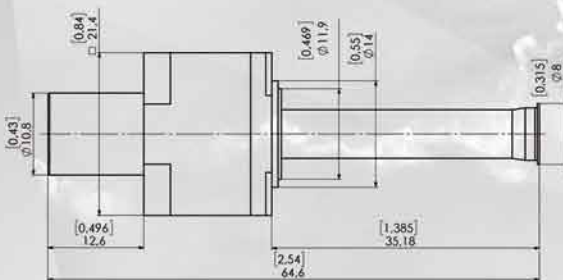
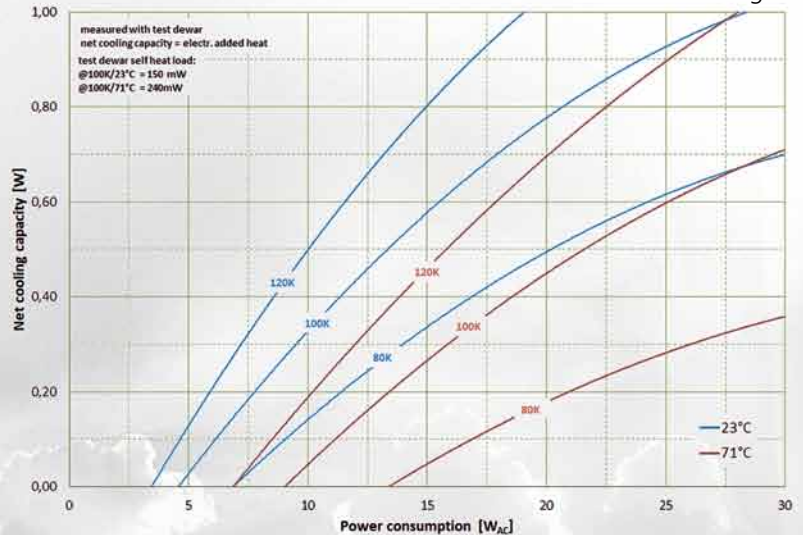


LINEAR STIRLING COOLER SX040

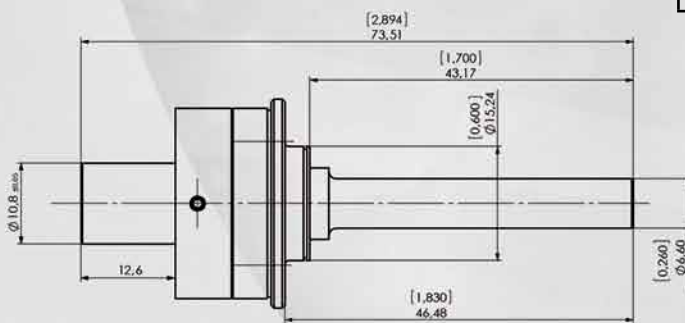
Typical Performance Data
SX040 with 6mm coldfinger

Applications

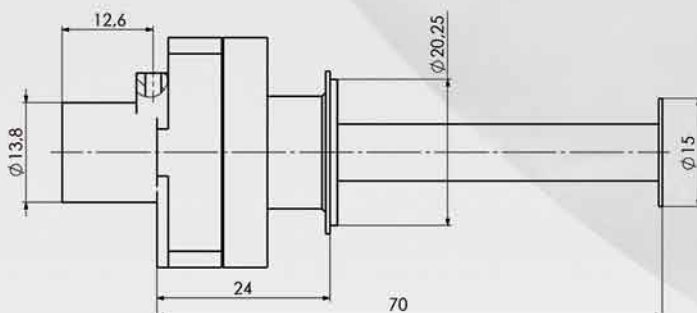
- High Performance IR-systems
- HOT detectors operating at 90 - 160K
- Ambient temperature up to 80°C
- Applications demanding high cryocooler reliability and reduction in maintenance costs



Dimensions 6mm Generic coldfinger long

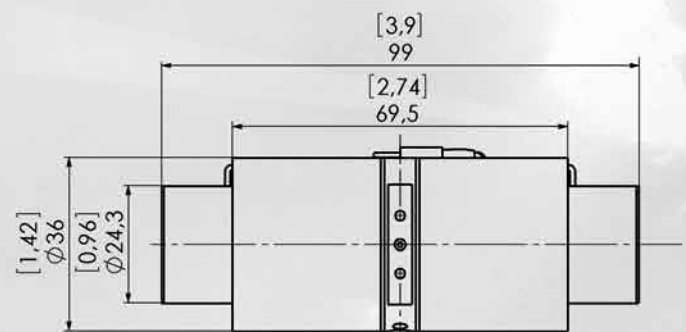


Dimensions 6mm coldfinger



Dimensions 8mm coldfinger

		SX040
Compressor diameter	[mm/in]	36 / 1.42
Compressor length	[mm/in]	99 / 3.9
Compressor weight	[g/lb]	590 / 1.3
Supply voltage	[V _{AC}]	5-15
Cooler Controller		μ DCE025 / DCE100
Ambient temperature range	[°C]	-54 to +85
Suitable coldfinger / dewar diameter		6mm, 8mm, 9mm



Dimensions SX040 compressor

AIM Infrarot-Module GmbH
Theresienstraße 2
74072 Heilbronn/Germany
Tel.: +49 7131 6212-310
Fax: +49 7131 6212-399
info@aim-ir.com
www.aim-ir.com